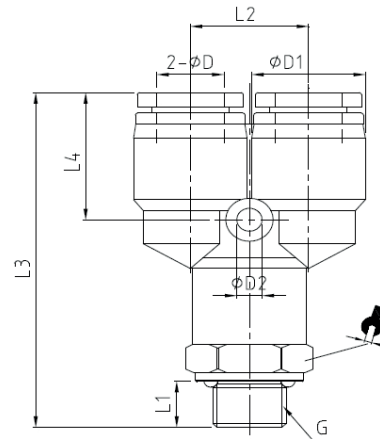




## RACCORDS INSTANTANÉS POLYMÈRES

### SÉRIE RP74 - RACCORD EN Y ENCLIQUETABLE AVEC FILETAGE MÂLE BSP CYLINDRIQUE ET MÉTRIQUE



Réf. Air-techniques	øD	G''	L1	L2	L3	L4	øD1	øD2		
RP74M504	4	M5	3.5	11	40	14	11.5	3.2	10	10
RP74M604	4	M6	4	11	40.5	.5	11.5	3.2	10	10
RP741804	4	G1/8	5.5	11	43	14.5	11.5	3.2	14	10
RP741404	4	G1/4	7.5	11	45.5	14.5	11.5	3.2	17	10
RP743804	4	G3/8	7.5	11	46	14.5	11.5	3.2	20	10
RP74M506	6	M5	3.5	13	41.5	15	13.5	3.2	12	10
RP74M606	6	M6	4	13	42	15	13.5	3.2	12	10
RP741806	6	G1/8	5.5	13	44	15	13.5	3.2	14	10
RP741406	6	G1/4	7.5	13	46.5	15	13.5	3.2	17	10
RP743806	6	G3/8	7.5	13	47	15	13.5	3.2	20	10
RP741206	6	G1/2	10	13	49.5	15	13.5	3.2	24	10
RP741808	8	G1/8	5.5	15	46.3	18	15	3.2	14	10
RP741408	8	G1/4	7.5	15	48.8	18	15	3.2	17	10
RP743808	8	G3/8	7.5	15	49.3	18	15	3.2	20	10
RP741208	8	G1/2	10	15	51.8	18	15	3.2	24	10
RP741810	10	G1/8	5.5	18	56	21	19	4.2	17	10
RP741410	10	G1/4	7.5	18	58.5	21	19	4.2	17	10
RP743810	10	G3/8	7.5	18	58.5	21	19	4.2	20	10
RP741210	10	G1/2	10	18	62	21	19	4.2	24	10
RP741812	12	G1/8	5.5	21	69.5	21.5	21.5	4.2	21	10
RP741412	12	G1/4	7.5	21	62	21.5	21.5	4.2	21	10
RP743812	12	G3/8	7.5	21	62	21.5	21.5	4.2	21	10
RP741212	12	G1/2	10	21	65	21.5	21.5	4.2	24	10